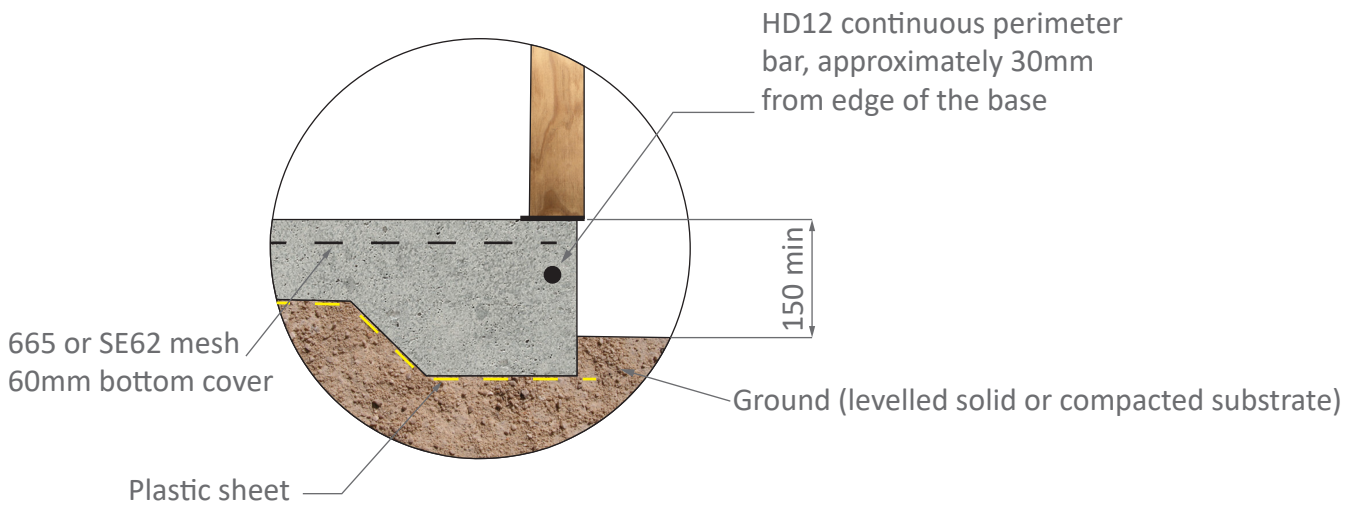
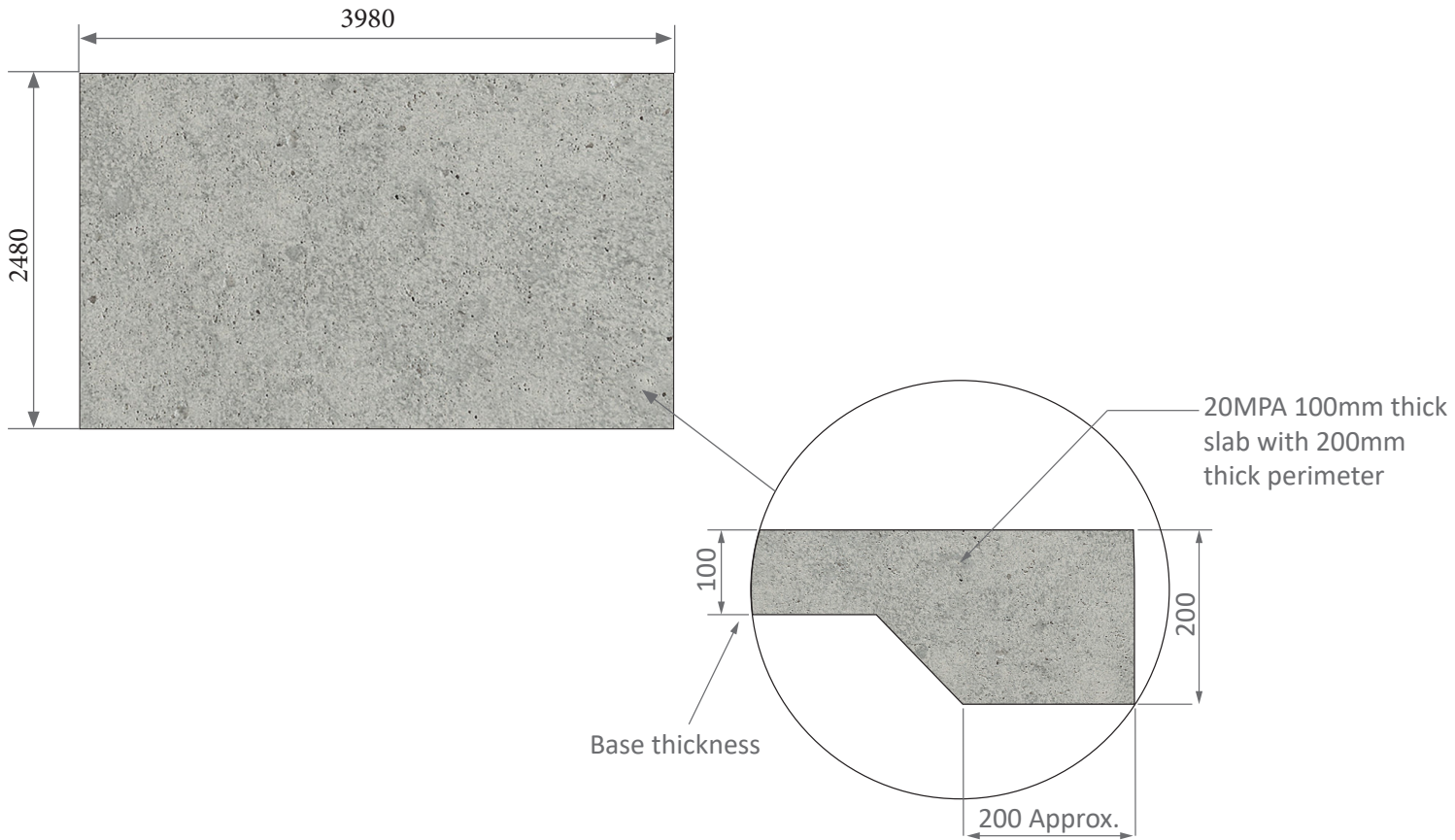
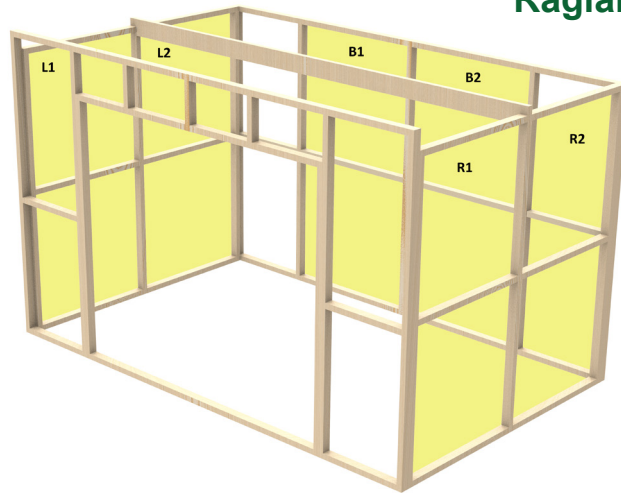


Base specifications

Use the below specifications to build a concrete base for shed:



- Concrete to NZS 3101



The above image shows the possible positions for PA doors. After selecting the desired position(s), use the dimensions specified in the following image to make PA door slope.

